

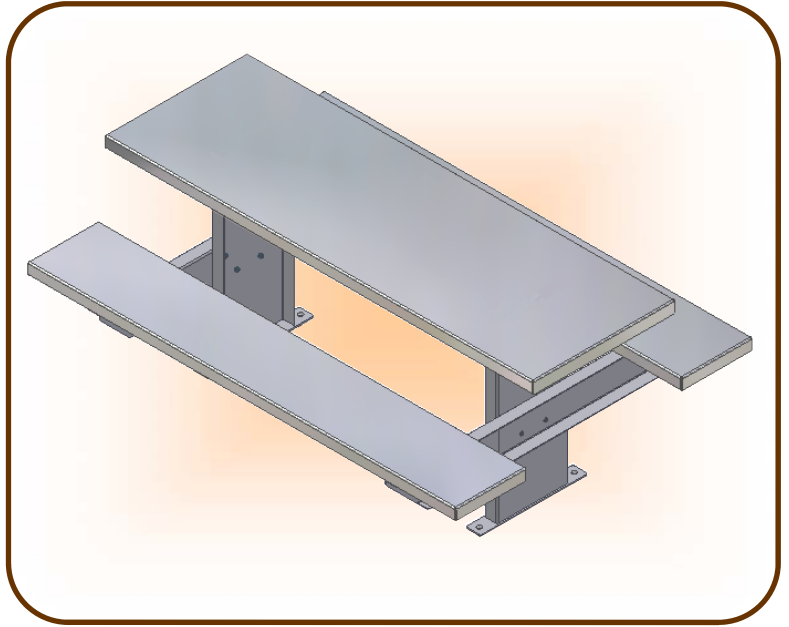
## Picnic Table- Floor Mount

## TABLE

### JCP Models

### Description

J-1-3701	Two Seat Picnic Table
J-1-3702	Four Seat Picnic Table
J-1-3703	Six Seat Picnic Table (shown)
J-1-3704	Eight Seat Picnic Table
J-1-3711	Two Seat Picnic Table w/ Finish Paint
J-1-3712	Four Seat Picnic Table w/ Finish Paint
J-1-3713	Six Seat Picnic Table w/ Finish Paint
J-1-3714	Eight Seat Picnic Table w/Finish Paint
J-1-3721	Two Seat Picnic Table (full weld)
J-1-3722	Four Seat Picnic Table (full weld)
J-1-3723	Six Seat Picnic Table (full weld)
J-1-3724	Eight Seat Picnic Table (full weld)
J-1-3731	Two Seat Picnic Table (full weld) w/ Finish Paint
J-1-3732	Four Seat Picnic Table (full weld) w/ Finish Paint
J-1-3733	Six Seat Picnic Table (full weld) w/ Finish Paint
J-1-3734	Eight Seat Picnic Table (full weld) w/ Finish Paint



**JCP Specifications:** Picnic table top and seat tops are fabricated from 10 gauge HRPO steel, and are 24” wide for the top and are 10” wide for the seats. The top is reinforced with a 11 gauge HRPO steel stabilizing channel down the middle of the top and an additional reinforcing channel where each leg connects to the top. The legs channels are fabricated from 10 gauge HRPO steel and are welded to base plates fabricated from 1/4” HRPO steel. The seat support channels are fabricated from 10 gauge HRPO steel. The table top height is 30” from the finished floor and the seats are 18” from the finished floor. All components receive one shop coat of our standard primer.

Picnic tables are shipped as separate components consisting of the top, (2) seats, (2) leg assemblies and (2) seat supports. The (20) 3/8-16 button head Torx® w/ pin security screws are also shipped separate for assembly by the installer.

Picnic tables specified as (full weld) will be completely welded together prior to shipping and shipped as one unit. All assembly screws are deleted to allow full welding of all components. Note that shipping fully welded picnic table will increase the shipping costs to the jobsite and may be difficult to move through the facility.

The two seat picnic table is 24” long.

The four seat picnic table is 48” long.

The six seat picnic table is 72” long.

The eight seat picnic table is 96” long.

Picnic tables specified to receive finish paint will receive one shop coat of our standard primer and one shop coat of standard finish paint with a textured finish. Finish paint color will be from our standard finish paint color palette.

Note: Floors must be flat and true within 1/16” +/- for the proper installation of the picnic table. Installer to furnish and install the eight mushroom head spikes to secure the picnic table to the floor. Special picnic table sizes, gauges, or construction may be available on a per project basis for additional cost, please contact a JCP estimator for pricing and availability.

**JAILS CORRECTIONAL PRODUCTS** A Division of **FABCOR, Inc.**

350 South Ohio Street, P.O. Box 58  
Minster, Ohio 45865  
www.fabcor.com

Phone: (419) 628- 4428  
Fax: (419) 628- 2899  
E-mail: jails@fabcor.com

Equipment Assembly

**EA-11.04**

Revision C

©2003 Fabcor, Inc.