

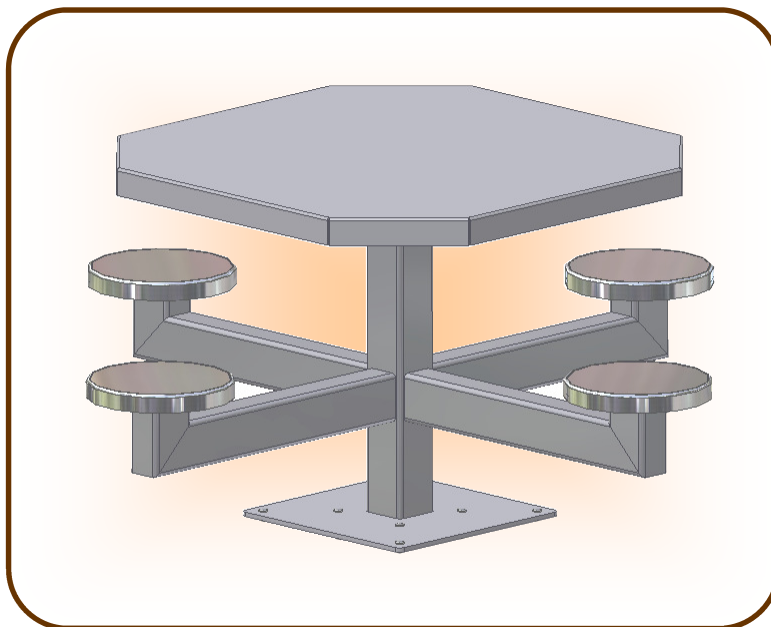
## Pedestal Table- Floor Mount

## TABLE

### JCP Models

### Description

J-1-3601	Two Seat Pedestal Table
J-1-3602	Four Seat Pedestal Table (shown)
J-1-3603	Six Seat Pedestal Table
J-1-3604	Eight Seat Pedestal Table
J-1-3621	Two Seat Pedestal Table w/ Finish Paint
J-1-3622	Four Seat Pedestal Table w/ Finish Paint
J-1-3623	Six Seat Pedestal Table w/ Finish Paint
J-1-3624	Eight Seat Pedestal Table w/ Finish Paint



**JCP Specifications:** Pedestal table tops are 40" x 40" and are fabricated from 10 gauge HRPO, which is reinforced with a 10 gauge HRPO steel plate. Additional top reinforcement is provided by four 10 gauge HRPO steel channels from the pedestal to the edge of the table top. The single pedestal is fabricated from a 7 gauge x 4" x 4" tube steel and is welded to the top reinforcement and the 3/8" x 18" x 18" Base Plate, which has eight 1/2" holes for securing the pedestal table to the floor. The seat support is fabricated from 7 gauge x 3" x 4" tube steel and the distance from edge of the seat top to edge of the opposite seat top is 66". The 12" diameter seat top is fabricated from 14 gauge stainless steel and has a 7 gauge HRPO reinforcement plate. The table is shipped as one unit and receives one shop coat of our standard primer, excluding the stainless steel seat tops.

The two seat pedestal table will have a single pedestal and two seats opposite of each other.

The four seat pedestal table will have a single pedestal and four seats as shown.

The six seat pedestal table will have two pedestals and three seats per pedestal.

The eight seat pedestal table will have two pedestals with three seats per pedestal, and one pedestal with two seats opposite of each other.

Pedestal tables specified to receive finish paint will receive one shop coat of our standard primer and one shop coat of standard finish paint with a textured finish. Finish paint color will be from our standard finish paint color palette.

Note: Floors must be flat and true within 1/16" +/- for the proper installation of the pedestal table. Installer to furnish and install the eight mushroom head spikes to secure the pedestal table to the floor. Special pedestal table sizes, gauges, or construction may be available on a per project basis for additional cost, please contact a JCP estimator for pricing and availability.

**JAILS CORRECTIONAL PRODUCTS** A Division of **FABCOR, Inc.**

350 South Ohio Street, P.O. Box 58  
Minster, Ohio 45865  
www.fabcor.com

Phone: (419) 628- 4428  
Fax: (419) 628- 2899  
E-mail: jails@fabcor.com

Equipment Assembly

**EA-11.02**

Revision C

©2003 Fabcor, Inc.