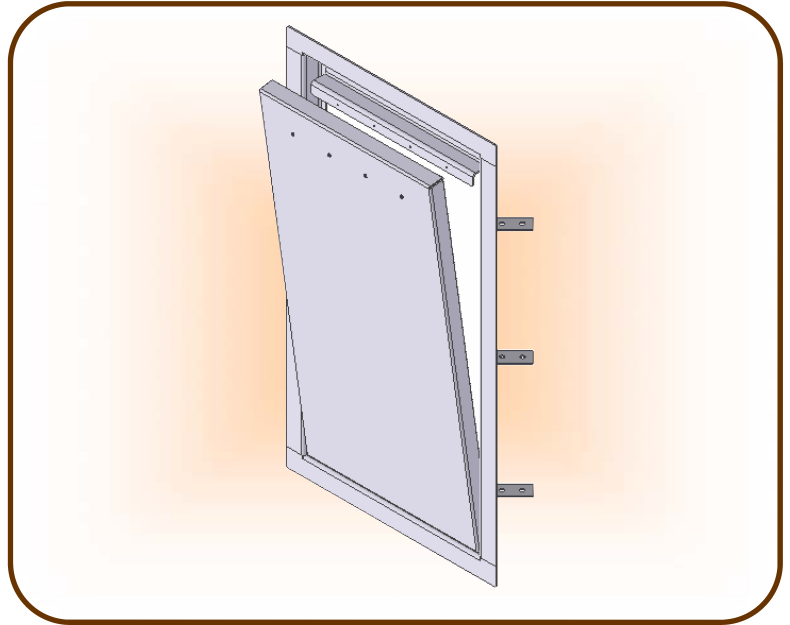


Access Panel- Wall or Ceiling Mount– Lift Out

ACCESS PANEL

<u>JCP Models</u>	<u>Description</u>
J-1-1001	24" x 24" Embedded
J-1-1002	24" x 36" Embedded
J-1-1003	24" x 48" Embedded (shown)
J-1-1004	24" x 72" Embedded
J-1-1005	Custom Size Embedded
J-1-1006	24" x 24" Non Embedded
J-1-1007	24" x 36" Non Embedded
J-1-1008	24" x 48" Non Embedded
J-1-1009	24" x 72" Non Embedded
J-1-1010	Custom Size Non Embedded
J-1-1011	24" x 24" No Anchorage
J-1-1012	24" x 36" No Anchorage
J-1-1013	24" x 48" No Anchorage
J-1-1014	24" x 72" No Anchorage
J-1-1015	Custom Size No Anchorage



JCP Specifications: Access panel frames are fabricated from 7 gauge HRPO steel and the doors are fabricated from 10 gauge HRPO steel. The frame has a depth of 2-3/8" and flanges of 2-1/2". There will be a 1/8" clearance between the door and frame. The door is 2" thick with flanges bent around to the back on all sides for rigidity. The door will sit back 1/8" from the face of the frame.

The lift out access panels are assembled complete with the door sitting in the frame secured by 1/4-20 button head Torx w/ pin bolts at 8" o/c across the top. All materials receive one shop coat of our standard primer. The lift out access panels are shipped to the jobsite fully assembled and ready for installation.

For embedded applications specify access panels with embedded anchors. The 10 gauge HRPO steel x 2" x 4-1/2" long anchors are located in the corner of the frame jambs at 16" o/c, and designed to lay between the block courses. The installer will lay the door and frame unit on a block course and lay the block around the frame and anchors. The installer will insert a #4 rebar (provided by installer) through each anchor and verify the frame is square, plumb and true in the opening. The block wall must be grouted solid for proper anchorage.

For non embedded or existing applications specify access panels with non embedded anchorage. 5/16" diameter countersunk holes will be located on the face of the frame jambs, header and sill at 12" o/c. The installer will provide the 1/4" diameter pin bolt drive to be inserted into each hole. Place the access panel frame in the wall or ceiling opening and drill a hole at each anchor location, insert and tighten each anchor. The block wall must be grouted solid for proper anchorage.

For plate wall or ceiling applications specify access panel with no anchorage. The installer places the access panel frame in the wall or ceiling opening and welds the edge of the frame to the plate wall or ceiling.

Correctional access panels should be specified at all locations inmates have access to. The above sizes refer to the opening in the frame for the door of each access panel. The overall frame size would be 5" larger vertically and horizontally.

JAILS CORRECTIONAL PRODUCTS A Division of **FABCOR, Inc.**

350 South Ohio Street, P.O. Box 58
Minster, Ohio 45865
www.fabcor.com

Phone: (419) 628- 4428
Fax: (419) 628- 2899
E-mail: jails@fabcor.com

Equipment Assembly

EA-02.01

Revision C

©2003 Fabcor, Inc.